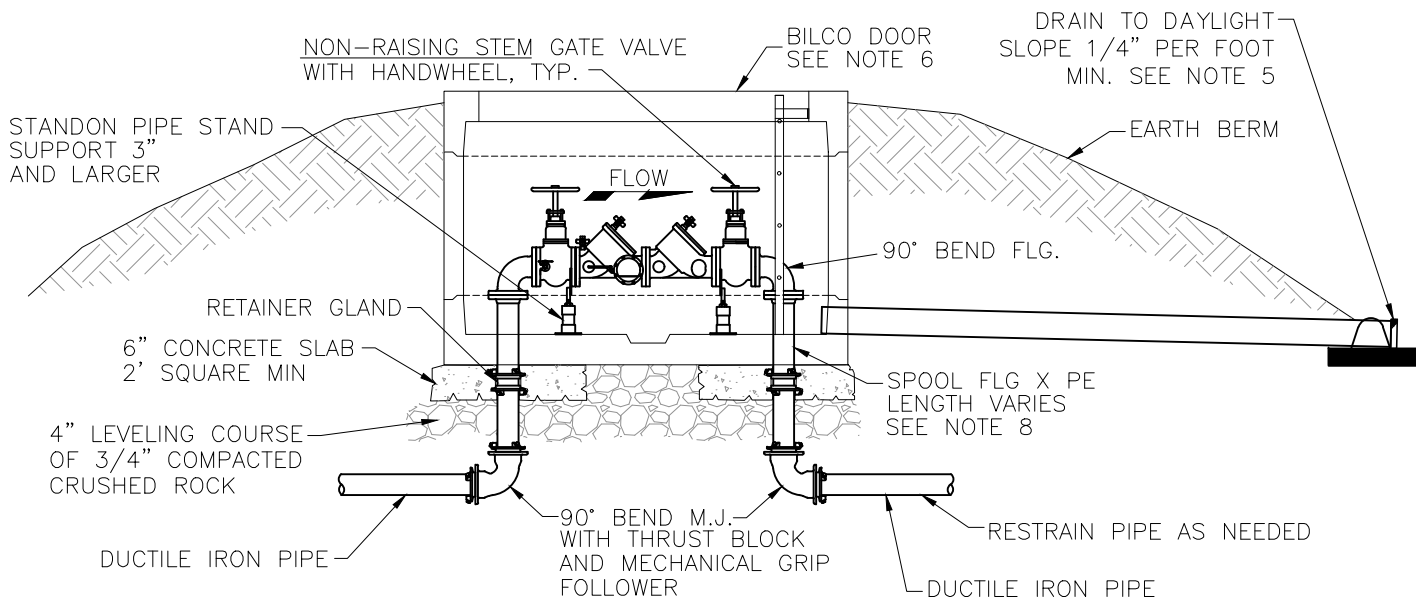


PLAN



ELEVATION

NOTES:

1. REFER TO OAR'S FOR ALL CLEARANCES AND TO OHA FOR LIST OF APPROVED ASSEMBLIES
2. REDUCED PRESSURE BACKFLOW ASSEMBLY SHALL BE INSTALLED IN A LOCATION APPROVED BY TWWD
3. REDUCED PRESSURE BACKFLOW ASSEMBLY SHALL BE INSTALLED HORIZONTAL AND PLUMB
4. VAULT TO BE INSULATED AND/OR HAVE A HEAT SOURCE TO KEEP ENCLOSURE AT 40°F (NFPA 13-4-5.4.1.1)
5. ENCLOSURE SHALL INCLUDE A BORE SIGHTED DRAIN TO DAYLIGHT CAPABLE OF DRAINING A FULL RELIEF VALVE DISCHARGE WITH RODENT SCREEN
6. A BILCO DOOR OR OTHER APPROVED ACCESS SHALL BE PROVIDED
7. ALL ASSEMBLIES 2 1/2" AND LARGER SHALL BE FLANGED
8. ALL STRUCTURES TO COMPLY WITH LOCAL BUILDING CODES
9. OPENINGS IN BOTTOM OF VAULT TO BE PRE-FORMED KNOCKOUTS

SIZE	UTILITY VAULT *	BILCO DOOR *
3	660-WA	J-5AL
4	577-WA	J-5AL
6	676-WA	J-5AL
8	687-WA	JD-3AL
10	5106-LA	JD-3AL

* "OR EQUAL"



TUALATIN VALLEY
WATER DISTRICT

DESIGNED: MBA

APPROVED: NWA

SCALE: NONE

**REDUCED PRESSURE
BACKFLOW ASSEMBLY
(IN VAULT)**

DATE: 11/2019

DETAIL

803