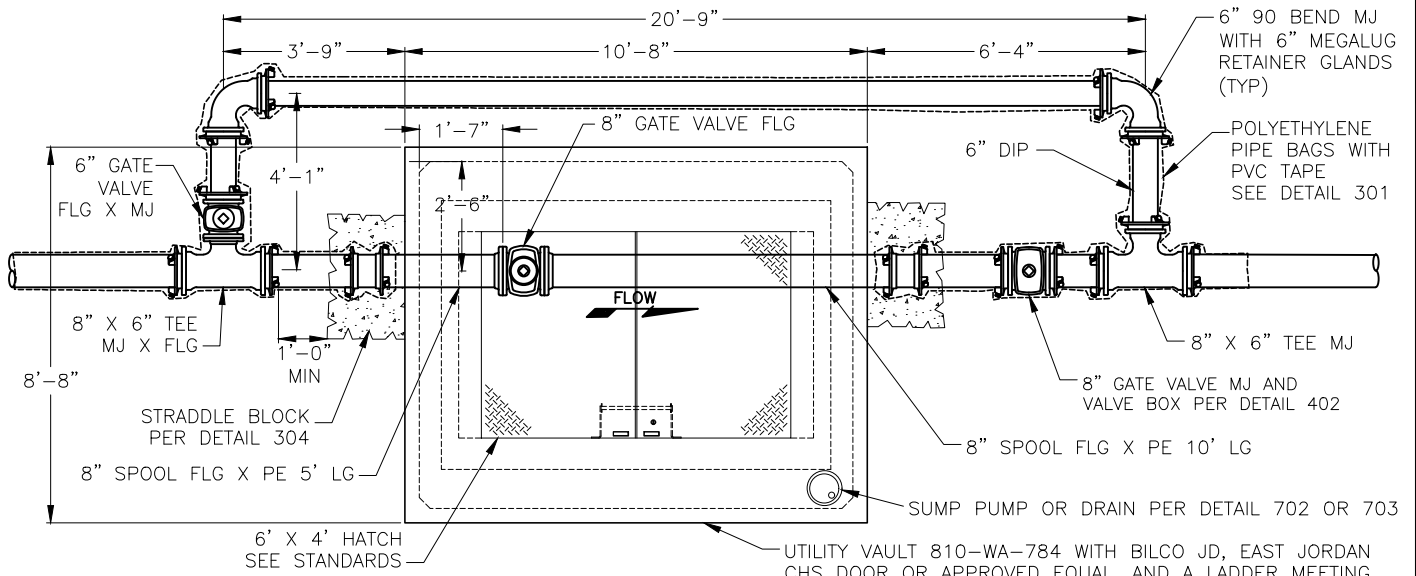
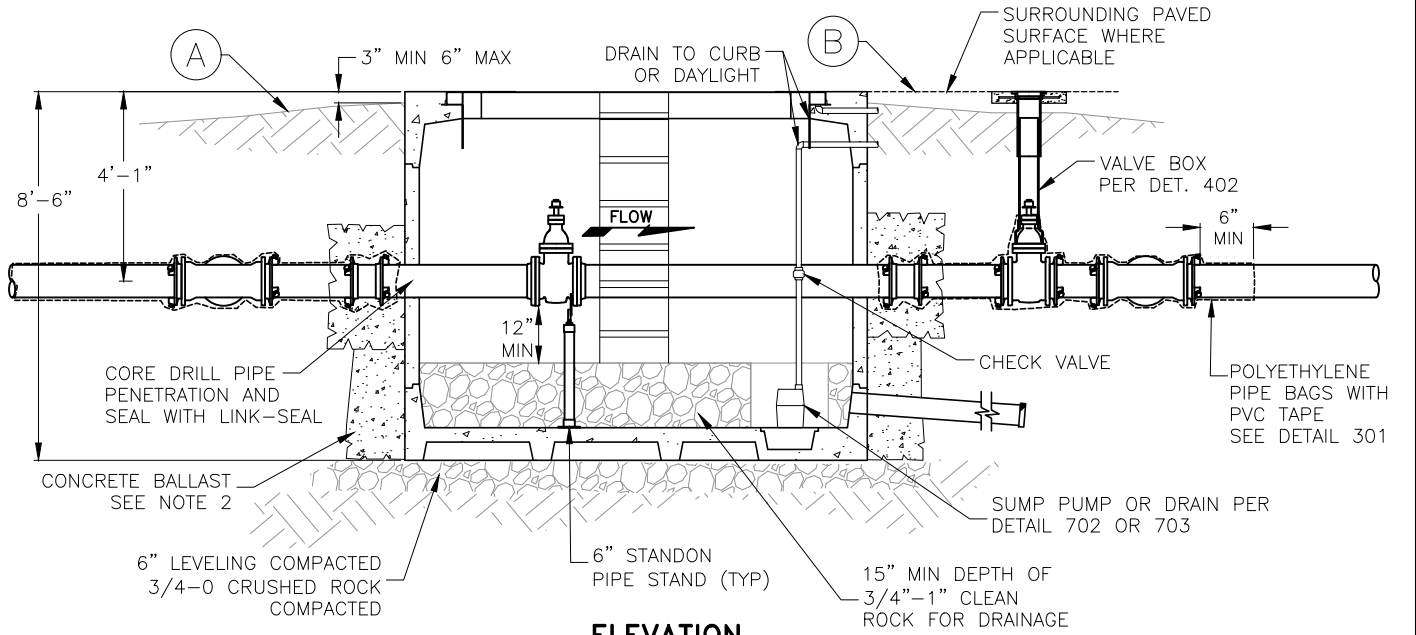


**STREET SIDE**

**CUSTOMER SIDE**



**PLAN**



**ELEVATION**

**NOTES:**

1. CONTRACTOR SEAL ALL OPENINGS IN VAULT WITH NON SHRINK GROUT.
2. CONTRACTOR TO INSTALL CONCRETE BALLAST 3 CU YD MIN AROUND BASE OF VAULT IN AREAS WHERE FLOODING OR HIGH GROUND WATER EXISTS.
3. ALL MATERIALS SHALL BE AS NAMED OR EQUAL. SUBMIT ALTERNATES FOR APPROVAL.
4. ORS 92.044(7) PROHIBITS LOCATING ANY UTILITY INFRASTRUCTURE WITHIN 1-FT. OF A SURVEY MONUMENT. DEVELOPER SHALL PAY FOR ANY RELOCATION OF SERVICES AND/OR METER BOXES FOUND TO FALL WITHIN 1-FT. OF A SURVEY MONUMENT LOCATION.
5. FOR FIRE MAINS, USE OSY VALVE.

**KEYNOTES:**

- A. IN LANDSCAPING: FINISH GRADE SHALL SLOPE AWAY FROM VAULT LID.
- B. IN PAVEMENT: FINISH GRADE SHALL BE FLUSH WITH SURROUNDING PAVEMENT.



**TUALATIN VALLEY**  
WATER DISTRICT

DESIGNED: MBA

APPROVED: NWA

SCALE: NONE

**8" METER  
INSTALLATION**

DATE: 9/2020

DETAIL

**609**