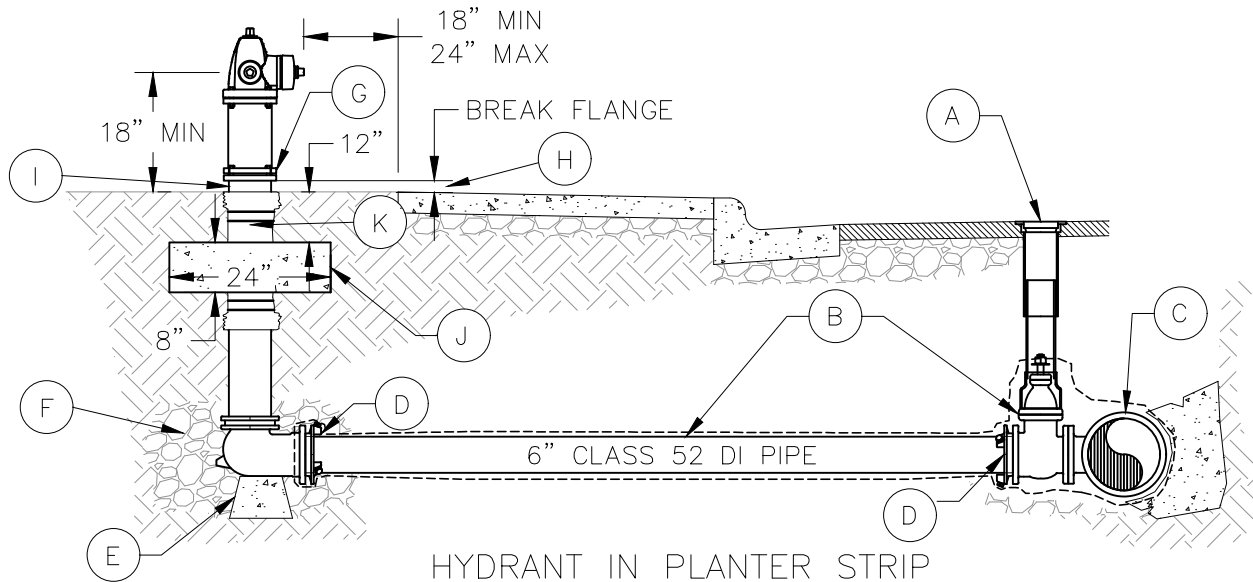
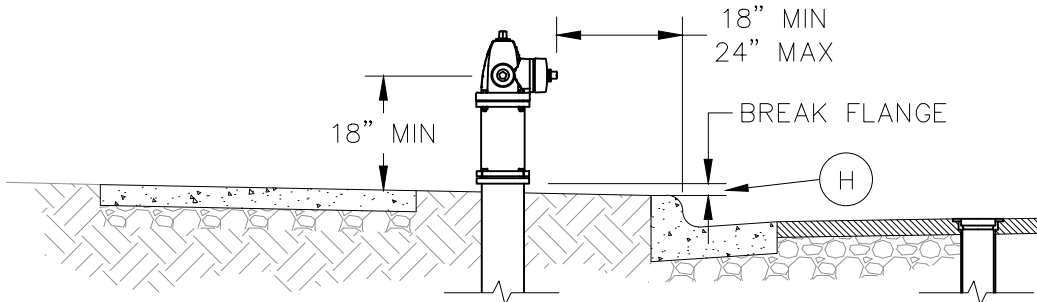


HYDRANT BEHIND CURBTIGHT SIDEWALK



HYDRANT IN PLANTER STRIP



KEYNOTES:

- A. VALVE BOX ASSEMBLY PER DETAIL 402.
- B. 6" GATE VALVE. WRAP TEE, VALVE, AND PIPE TO THE FOOT VALVE WITH 3 LAYERS OF POLYETHYLENE ENCASEMENT PRIOR TO BACKFILLING. EXTEND PE WRAP A MINIMUM OF 6" BEYOND TEE. SECURE TO PIPE WITH 10 MIL PVC PIPE WRAP TAPE. SEE DETAIL 301. DO NOT WRAP HYDRANT BARREL.
- C. TEE. NEW CONSTRUCTION TEE SHALL BE MJ X MJ X FLG. CONNECTIONS TO EXISTING MAINS SHALL BE TAPPING TEE PER DETAIL 302. THRUST BLOCK REQUIRED ONLY FOR TAPPING TEE.
- D. MECHANICAL JOINT WITH GRIP FOLLOWER. ALL JOINTS IN HYDRANT ASSEMBLY SHALL BE FULLY RESTRAINED.
- E. 12" X 12" X 8" CONCRETE PIER BLOCK ON UNDISTURBED NATIVE SOIL.
- F. 1-1/2" CLEAN DRAIN ROCK POCKET. 4 CUBIC FEET MINIMUM. MINIMUM 6" ABOVE HYDRANT DRAIN OPENING. WRAP WITH GEOTEXTILE FABRIC PER TVWD STANDARDS.
- G. MAINTAIN MINIMUM CLEAR SPACE IN ALL DIRECTIONS PER DETAIL 503. PLACEMENT OF CONCRETE AROUND HYDRANTS IS PROHIBITED.
- H. FOLLOW MANUFACTURER RECOMMENDATIONS FOR BURY LINE AND BREAK FLANGE MAX AND MIN.
- I. NO RISER KITS ON NEW HYDRANT INSTALLATIONS.
- J. CONCRETE BLOCK – 3500 PSI 2" BELOW SCORE LINE, 8" THICK, AND 12" BELOW BURY LINE. CONCRETE SHALL NOT IMPACT WEEP HOLE.
- K. WRAP HYDRANT BARREL WITH PE WRAP BENEATH BURY LINE TO 6 INCHES BELOW CONCRETE BLOCK. ENSURE PE WRAP DOES NOT INTERFERE WITH WEEP HOLE.



TUALATIN VALLEY
WATER DISTRICT

DESIGNED: MBA

APPROVED: NWA

SCALE: NONE

**FIRE HYDRANT STANDARD
INSTALLATION**

DATE: 9/2020

DETAIL

502